

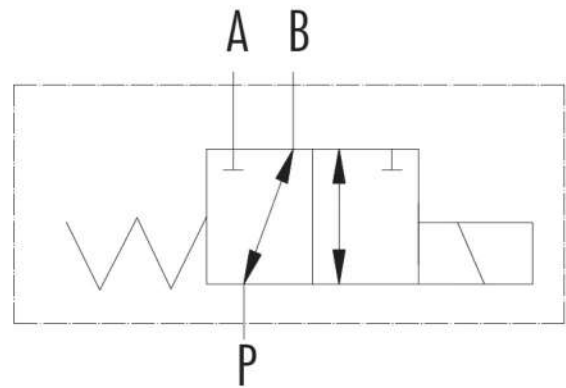


DIVERTER VALVES
CATALOGUE

SFD SERIES

SOLENOID FLOW DIVERTERS

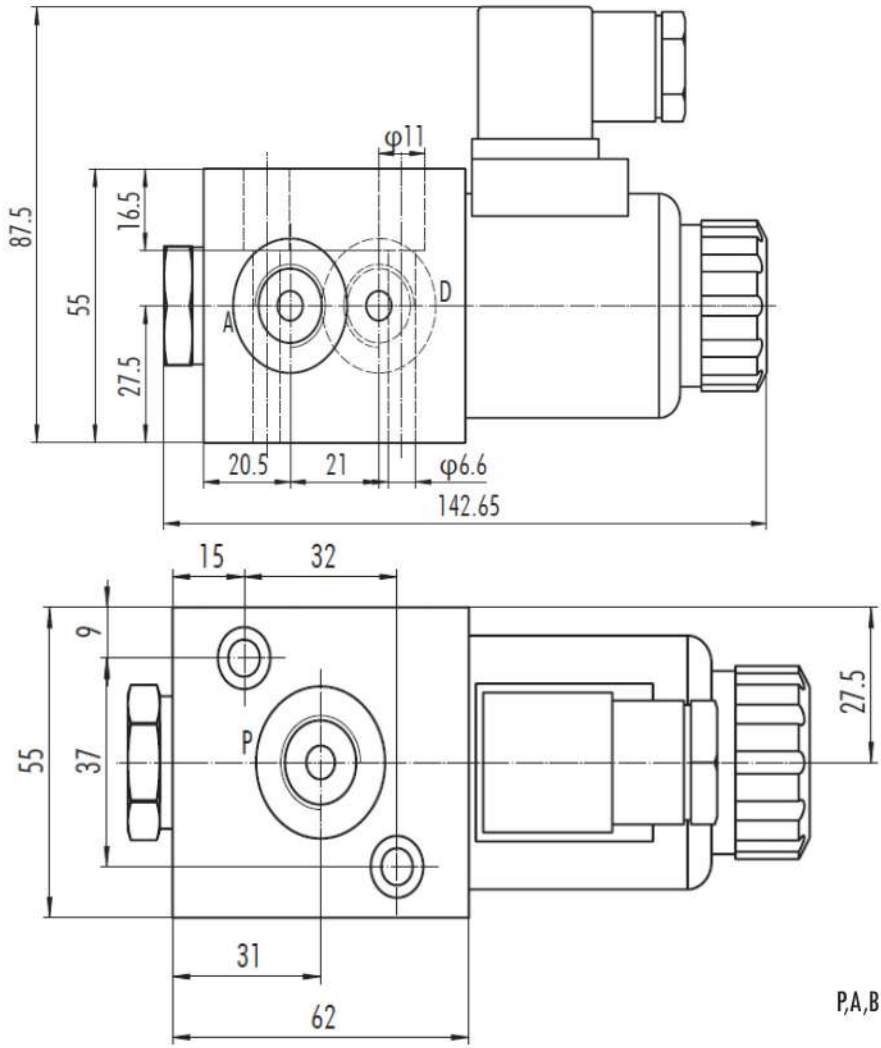
SFD308



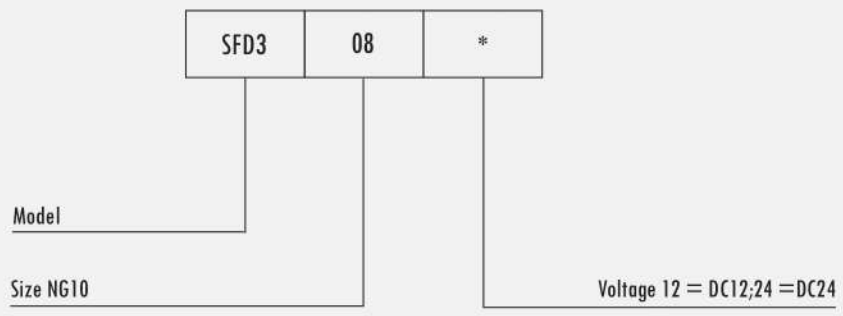
TECHNICAL DATA

| | |
|---|--|
| Model | SFD308 |
| Max flow rate (L/min) | 50 |
| Max operating pressure (MPa) | 21 |
| Valve body (Material) Surface Treatment | (casting) phosphating surface |
| Oil cleanliness | NAS1638 class 9 and ISO4406 class 20/18/15 |

DIVERTER VALVE 3/8 - 3 WAYS



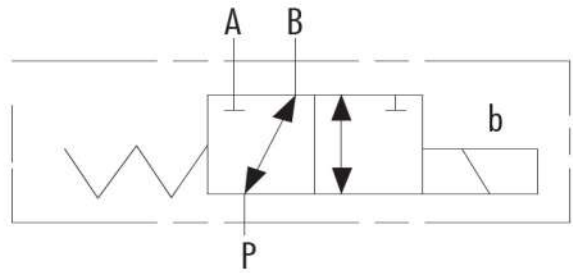
P,A,B = G 3/8"



SFD SERIES

SOLENOID FLOW DIVERTERS

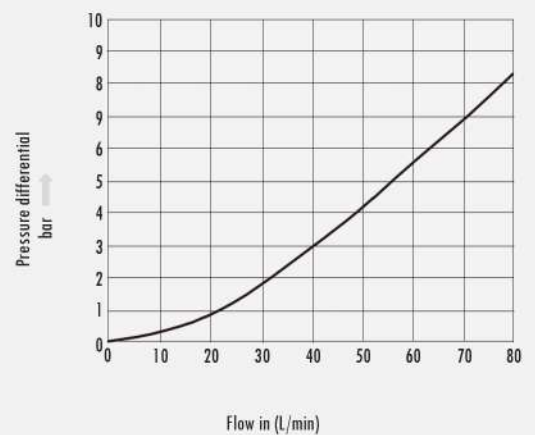
SFD310



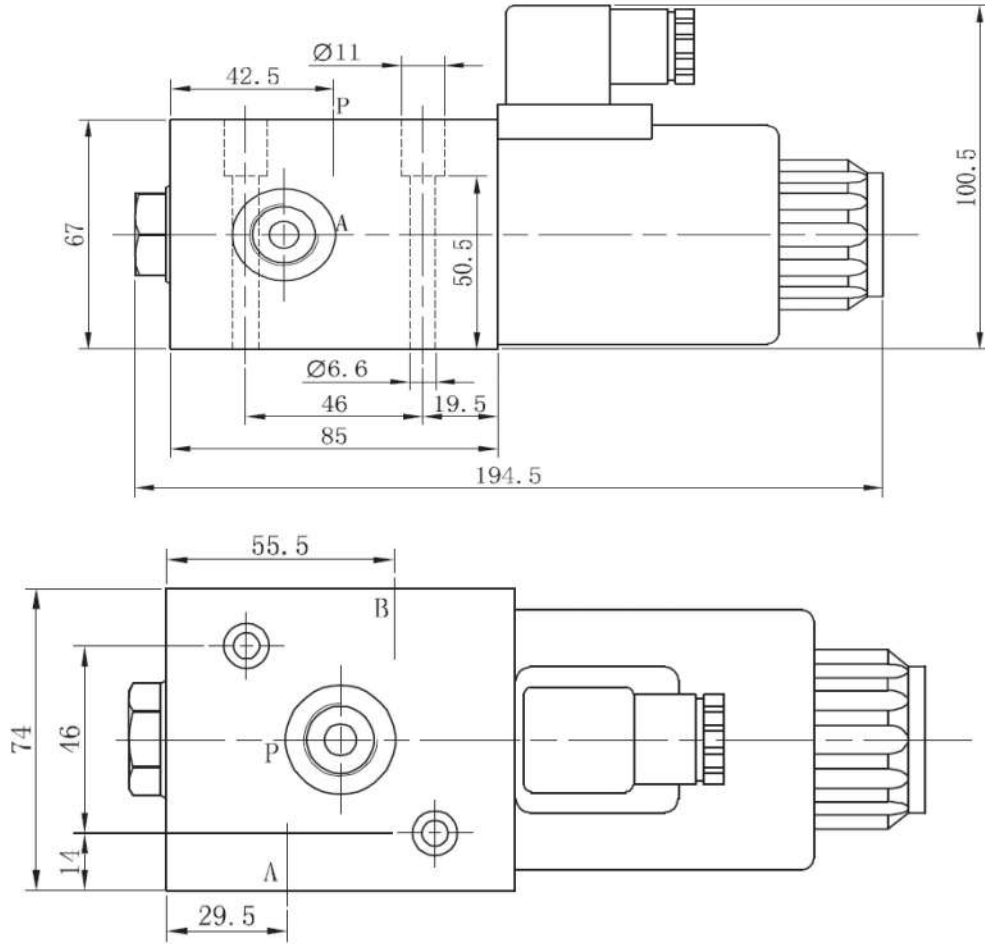
TECHNICAL DATA

| | |
|---|--|
| Model | SFD310 |
| Max flow rate (L/min) | 80 |
| Max operating pressure (MPa) | 21 |
| Valve body (Material) Surface Treatment | (casting) phosphating surface |
| Oil cleanliness | NAS1638 class 9 and ISO4406 class 20/18/15 |

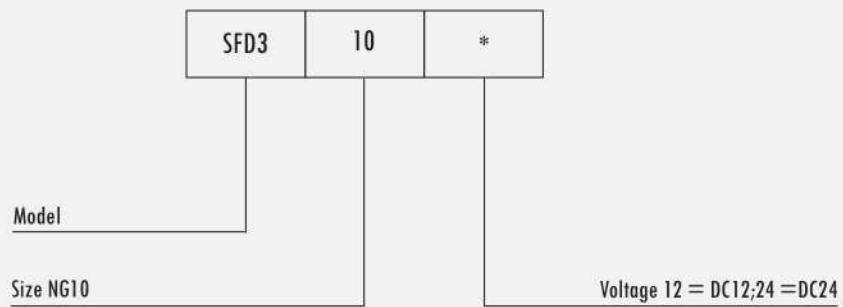
CARACTERISTIC CURVES (measured with HLP46, Voil=40° + -5°C)



DIVERTER VALVE 1/2 - 3 WAYS



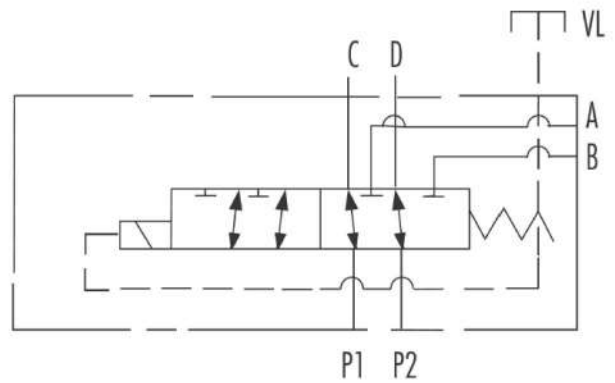
P, A, B = G 1/2"



SFD SERIES

SOLENOID FLOW DIVERTERS

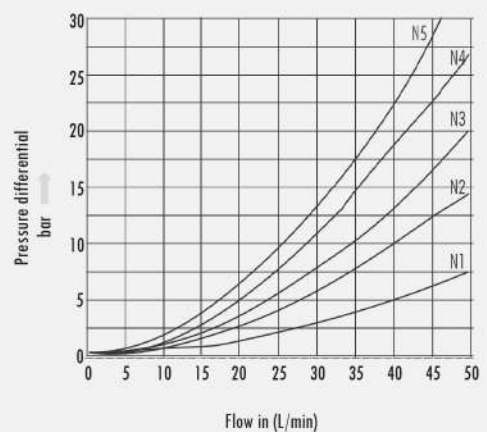
SFD6



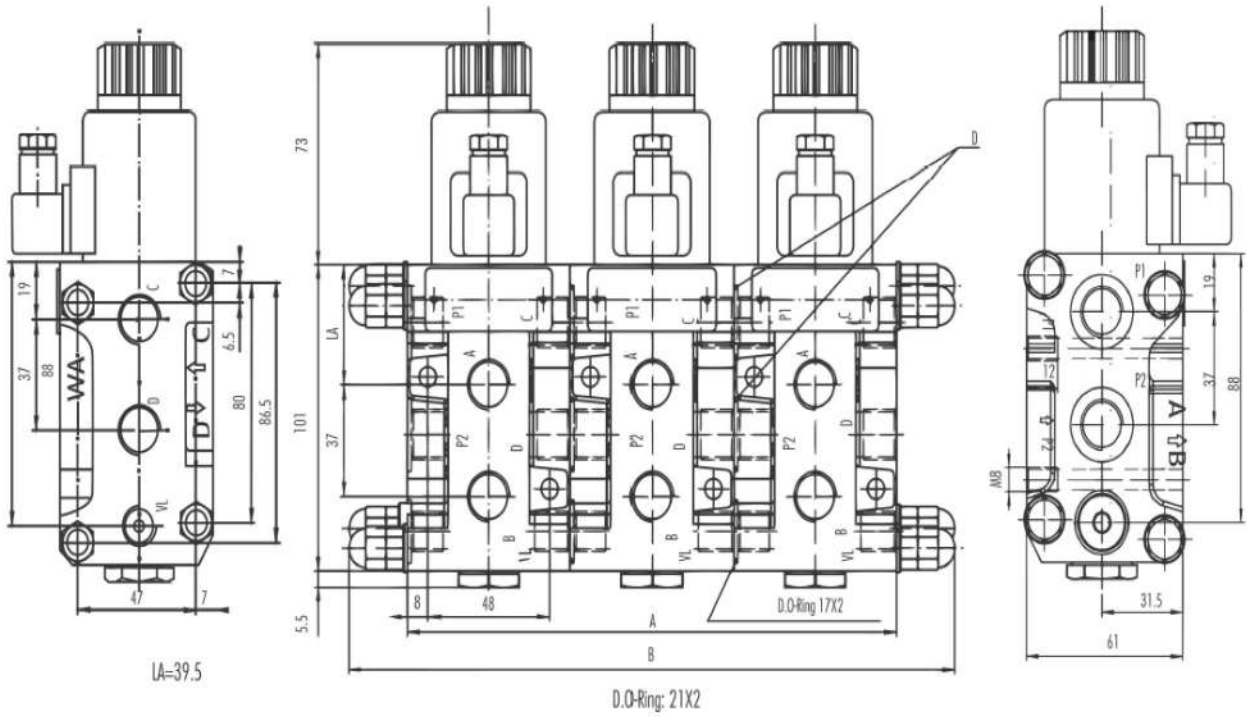
TECHNICAL DATA

| | |
|---|--|
| Model | SFD6 |
| Max flow rate (L/min) | 50 |
| Max operating pressure (MPa) | 25 |
| Valve body (Material) Surface Treatment | (casting) phosphating surface |
| Oil cleanliness | NAS1638 class 9 and ISO4406 class 20/18/15 |

CHARACTERISTIC CURVES (measured with HLP46, Voil=40° + -5°C)



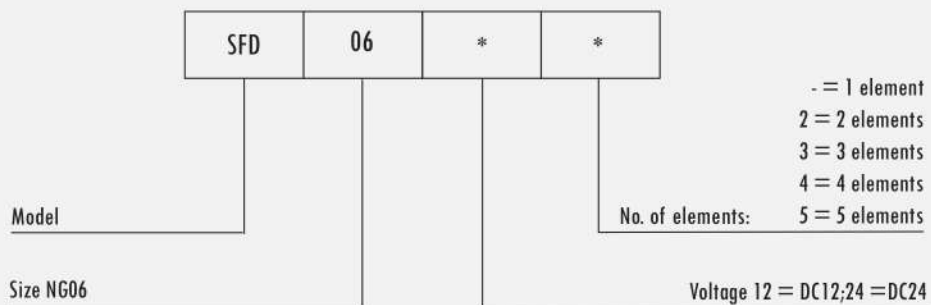
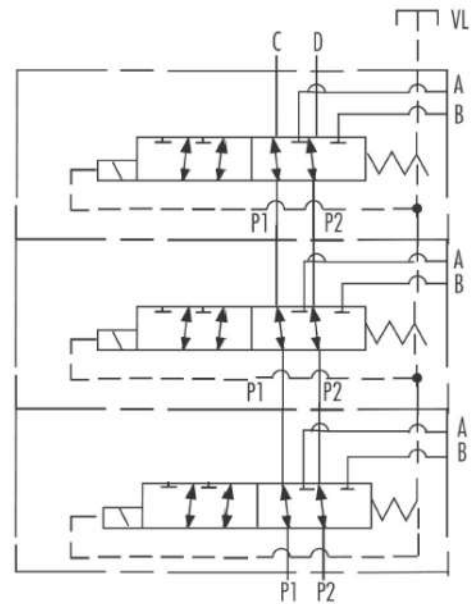
DIVERTER VALVE 3/8 - 6 WAYS



P1, P2, A, B, C, D = G 3/8"

TECHNICAL DATA

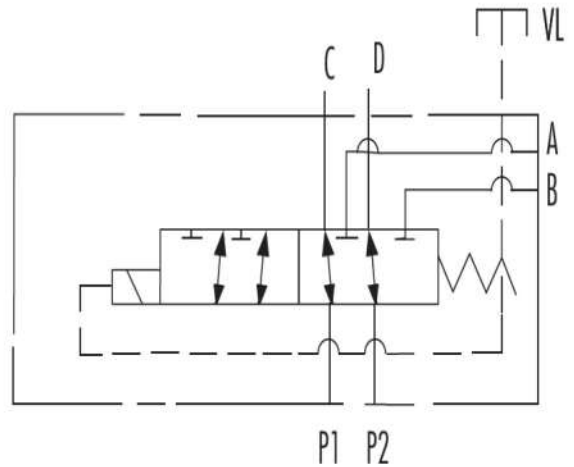
| elements | way | A | B |
|----------|-----|--------------|-----|
| No. of | | Lengths (mm) | |
| 1 | 6 | 64 | - |
| 2 | 8 | 128 | 174 |
| 3 | 10 | 192 | 238 |
| 4 | 12 | 256 | 302 |
| 5 | 14 | 320 | 366 |



SFD SERIES

SOLENOID FLOW DIVERTERS

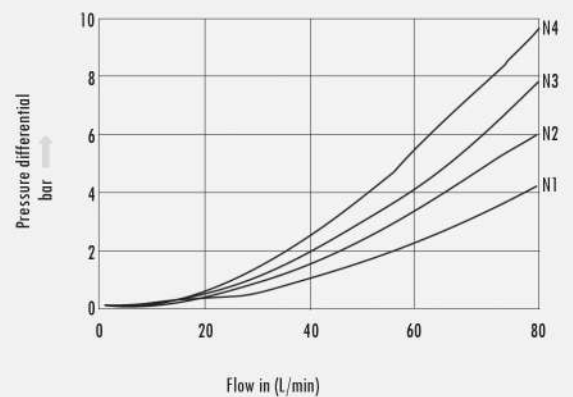
SFD10



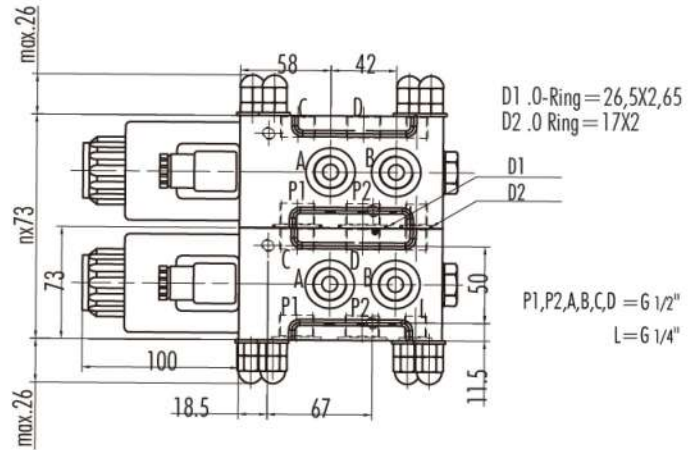
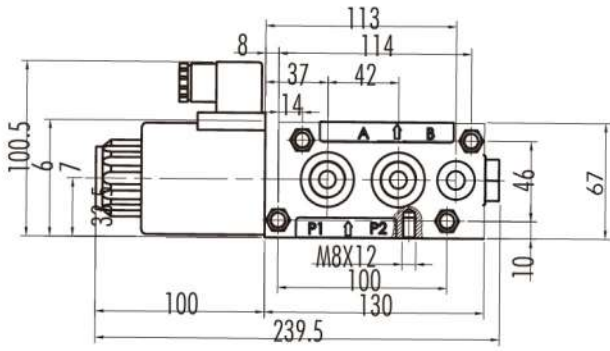
TECHNICAL DATA

| | |
|---|--|
| Model | SFD10 |
| Max flow rate (L/min) | 80 |
| Max operating pressure (MPa) | 25 |
| Valve body (Material) Surface Treatment | (casting) phosphating surface |
| Oil cleanliness | NAS1638 class 9 and ISO4406 class 20/18/15 |

CHARACTERISTIC CURVES (measured with HLP46, Voil=40° + -5°C)



DIVERTER VALVE 1/2 - 6 WAYS



TECHNICAL DATA

| elements | way | NX73 |
|----------|-----|--------------|
| No. of | | Lengths (mm) |
| 1 | 6 | 73 |
| 2 | 8 | 146 |
| 3 | 10 | 219 |
| 4 | 12 | 292 |

